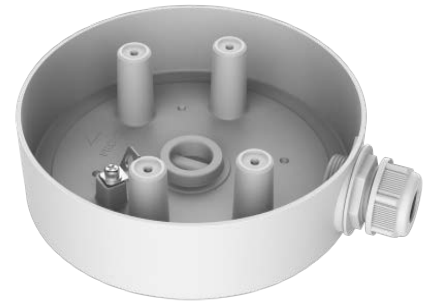


CB-DE4A

Junction Box for DS-2DE4A Series Cameras

- Aluminum alloy material with surface spray treatment
- Designed for DS-2DE4A Series Cameras
- Side Outlet and Bottom Outlet
- Waterproof Design

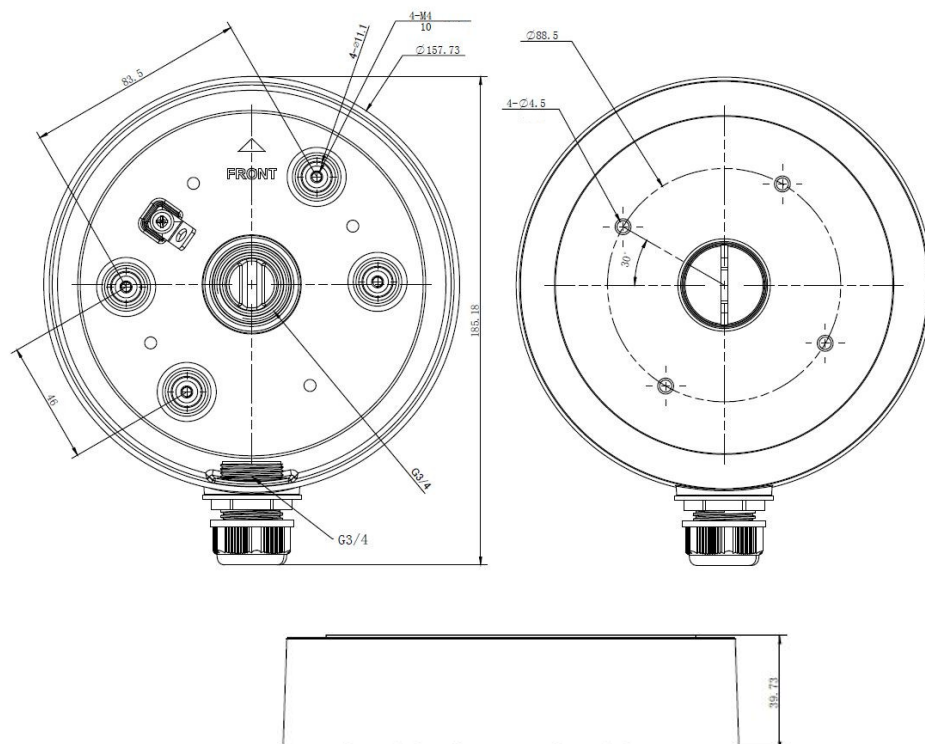


The junction box should be installed on a flat surface. Waterproof rubber is necessary for outdoor application. The wall must be capable of supporting at least three times the total weight of the camera and bracket. The maximum load capacity of the junction box is 11 lbs (5 kg).

Available Model: CB-DE4A

Dimensions

Specifications



| CB-DE4A | |
|------------|--------------------------------------|
| Appearance | Hikvision White |
| Material | Aluminum Alloy |
| Dimension | Φ 157.7 mm × 39.7 mm (Φ 6.2" × 1.6") |
| Weight | 0.99 lbs (450 g) |