

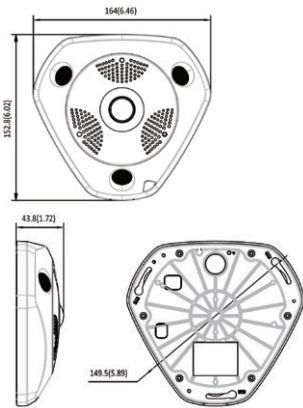
DS-2CD6332FWD-I Series 3 MP WDR Fisheye Network Camera



Key Features

- 3 Megapixel Image Sensor
- 1/3" Progressive Scan CMOS
- True WDR, Up to 120 dB
- Up to 2048 x 1536 Resolution, Real-Time Streaming
- 360° View Angle
- Multiple Viewing Modes
- Multiple ePTZ Streams with Preset and Patrol Functions
- Ceiling, Wall, or Table Mount Modes
- Up to 15 Meters IR Range
- Built-In Microphone and Speaker
- IP66 (-V Model)
- IK10 Vandal Resistant (-V Model)

Dimensions



Order Models

DS-2CD6332FWD-I

DS-2CD6332FWD-IV: IP66, vandal-resistant option

Accessories



CB-FE
Junction Box



PC-FE
Inclined Ceiling Mount



AB-FE
Wall Mount



CPM + PC-FE
Pendant Mount

DS-2CD6332FWD-I	
Camera	
Image Sensor	1/3" progressive scan CMOS
Minimum Illumination	0.28 lux (f/2.0, AGC on); 0 lux with IR
Shutter Speed	1/25 (1/30) s to 1/100,000 s
Lens	1.19 mm, f/2.0; angle of view: 360°
Lens Mount	M12
Day/Night	ICR
Compression Standard	
Video Compression	H.264/MPEG4/MJPEG
H.264 Type	Baseline Profile/Main Profile/High Profile
Video Bit Rate	32 Kbps to 16 Mbps
Audio Compression	G.711/G.726/MP2L2
Audio Bit Rate	64 Kbps (G.711)/16 Kbps (G.726)/64 Kbps (MP2L2)
Network	
Network Storage	NAS, SAMB/CIFS
Alarm Trigger	Motion detection, dynamic analysis, tampering alarm, network disconnect, IP address conflict, storage exception
Protocols	TCP/IP, ICMP, HTTP, HTTPS, FTP, DHCP, DNS, DDNS, RTP, RTSP, RTCP, PPPoE, NTP, UPnP, SMTP, SNMP, IGMP, 802.1X, QoS, IPv6, Bonjour
Security	User authentication, watermark, IP address filtering, anonymous access
Standard	ONVIF, PSIA, CGI, ISAPI
Image	
Maximum Resolution	2048 × 1536
Frame Rate	High-frame mode: supported 1 × fisheye (2048 × 1536, 25 fps) or (1536 × 1536, 30fps) or 4 × PTZ (800 × 600, 30 fps) Multi-channel mode: supported 1 × fisheye (1536 × 1536, 20 fps) and 1 × panoramic (1600 × 1200, 20 fps) and 3 × PTZ (800 × 600, 20 fps)
Number of Streams	High frame rate mode: 1 or 4; multi-channel: up to 5; (no sub-streams)
Digital Noise Reduction	3D DNR
Wide Dynamic Range	120 dB
Image Settings	Saturation, brightness, contrast, hue, sharpness, AGC, white balance
HLC	Supported
Day/Night Switch	Auto/manual/scheduled/alarm trigger
Interface	
Audio Input	1 RJ-45 10M/100M/1000M Ethernet interface
Audio Output	1 built-in microphone by default, 24 db
Communication Interface	1 built-in speaker by default, supports echo cancellation
On-Board Storage	Built-in microSD/SDXC slot, up to 128 GB
General	
Operating Conditions	-30° C to 60° C (-22° F to 140° F); humidity 95% or less (non-condensing)
Power Supply	12 VDC ±10%/PoE (802.3af)
Power Consumption	Maximum 12 W
IR Range	15 meters
Impact Protection	-V: IEC60068-2-75Eh, 20J; EN50102, up to IK10
Ingress Protection Level	-V: IP66
Dimensions	164 mm x 152.8 mm x 43.8 mm (6.46" x 6.02" x 1.72")
Weight	1400 g (3.09 lbs)