

AB110

Angled Base for Dome Camera

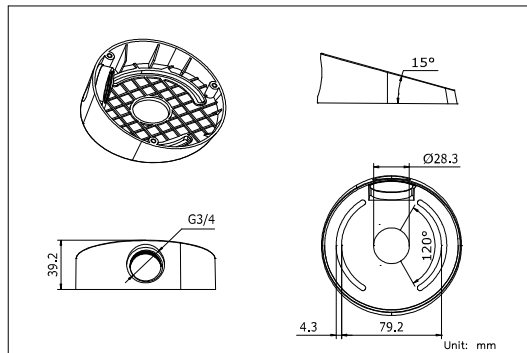


AB110	
Color	Hikvision white
Features	Increased camera elevation angle by 15°
Material	ABS + PC
Dimension	Φ111 mm × 39.2 mm (Φ4.37" × 1.54")
Weight	200 g (0.44 lbs)

Features

- Tough and Strong
- Wire Outlet Hole
- Compact
- Increases Elevation Angle by 15°

Dimensions



NOTES:

Pay attention to the application range when selecting mount.

Pay attention to color matching when selecting mount.

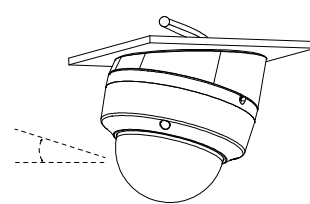
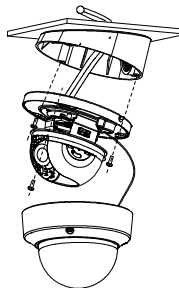
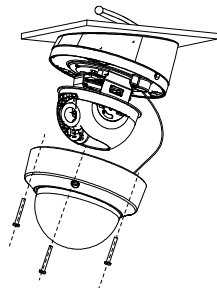
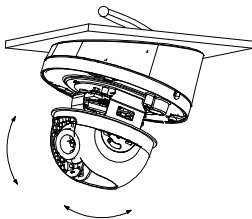
Install mount on flat ceiling.

The ceiling must be capable of supporting more than three times the total load of the camera and the mount.

The maximum load capacity of the mount is 2.0 kg (4.41 lbs).

Installation

1. Select suitable ceiling to install the mount and wire.
2. Loosen the tightening screw and take down the housing.
3. Install the dome core to the gang box, wire, and lock the screw.
4. Adjust the angle through the 3-axis adjustment structure.
5. Install the housing and lock the screws.
6. Finish the installation.



Order Model

AB110

Fits Camera Models

DS-2CD21xxFWD-IS, DS-2CD21x2F-I, DS-2CE56D1T-VPIR