

DS-3E0xxxP-E2 Series Unmanaged Ethernet PoE Switch



DS-3E0105P-E2



DS-3E0109P-E2



DS-3E0318P-E2



DS-3E0326P-E2

- Up to 24 x 100 Mbps PoE Ports and 2 x 1000 Mbps Combination Ports
- Compliant with IEEE802.3at/af, IEEE802.3, IEEE802.3u, and IEEE802.3x Ethernet Standards
- PoE Ports Offer 6 kV Surge Protection
- 100 Mbps Network Access
- PoE Output Power Management
- Wire-Speed Forwarding and Non-Blocking Design
- Solid and High-Strength Metal Shell

The DS-3E0xxxP-E2 is an unmanaged Ethernet PoE switch that requires no configuration and contains up to 24 100 Mbps ports. It is ideal for managing simple installations that have a large volume of video traffic from high-megapixel IP cameras. High priority ports guarantee stable transmission of key video feeds.

Switches in this series contain up to two 1000 Mbps combination ports, and are compliant with IEEE802.3, IEEE802.3u, and IEEE802.3x Ethernet standards. They support wire-speed forwarding, which extends the Ethernet PoE power supply up to a distance of 984 ft (300 m).

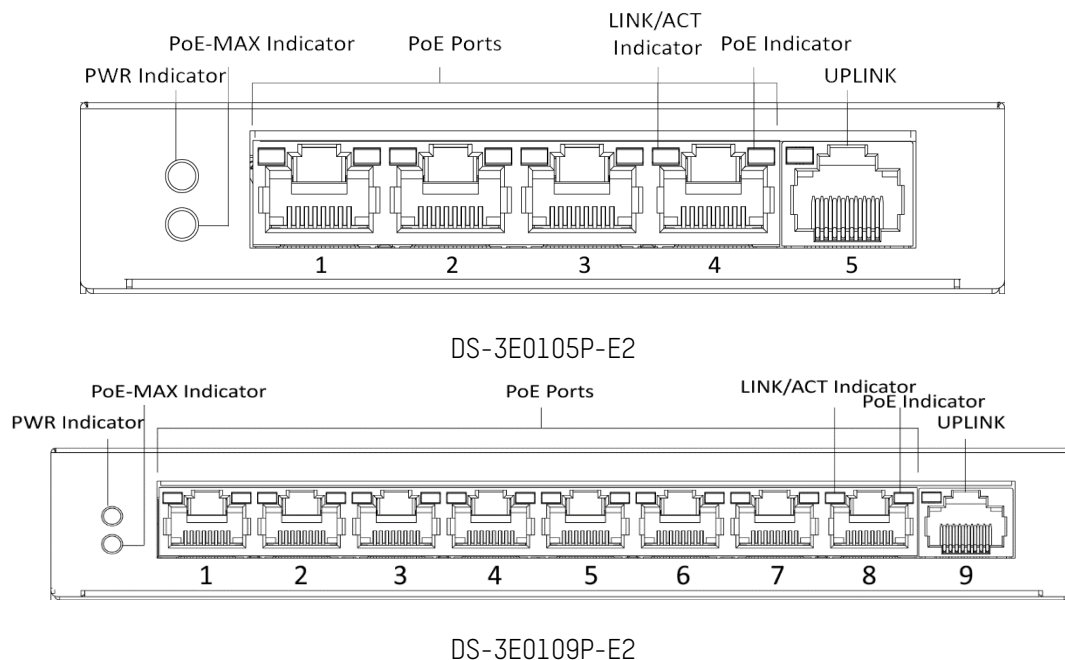
Available models:

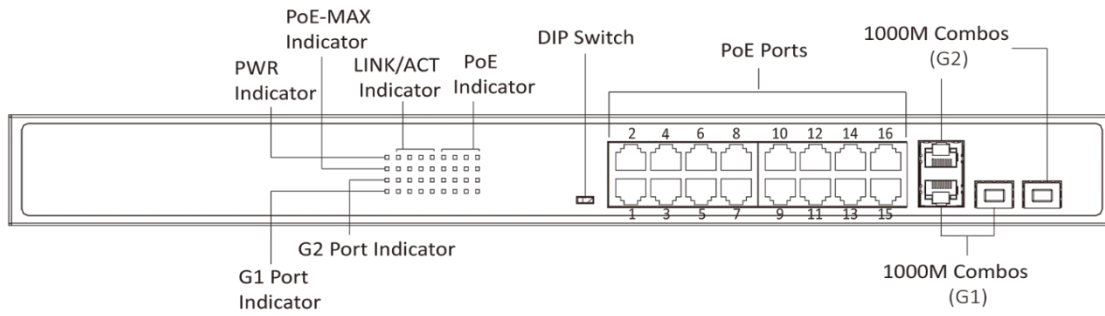
DS-3E0105P-E2
DS-3E0109P-E2
DS-3E0318P-E2
DS-3E0326P-E2

Specifications

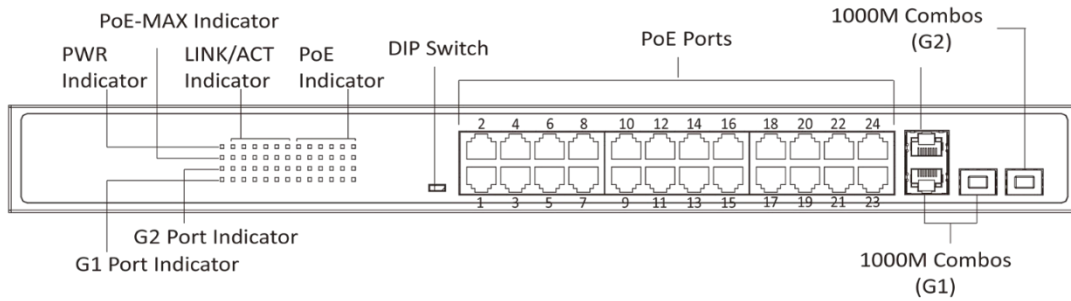
	DS-3E0105P-E2	DS-3E0109P-E2	DS-3E0318P-E2	DS-3E0326P-E2
Network Parameters				
Port Number	4 × 100 Mbps PoE ports, 1 × 100 Mbps Ethernet port	8 × 100 Mbps PoE ports, 1 × 100 Mbps Ethernet port	16 × 100 Mbps PoE ports, 2 × 1000 Mbps combs	24 × 100 Mbps PoE ports, 2 × 1000 Mbps combs
Port Type	RJ45 port, full duplex, MDI/MDI-X adaptive			
Standards	IEEE 802.3, IEEE 802.3u, IEEE 802.3x			
Forwarding Mode	Store-and-forward switching			
Working Mode	Standard mode (default), extend mode			
High Priority Ports	Ports 1 to 2		Ports 1 to 8	
Ports for Long-Distance Transmission	Ports 1 to 4	Ports 1 to 8	Ports 9 to 16	Ports 17 to 24
Link Aggregation Port	-	-	G1 to G2	
Mac Address Table	1K	2K	4K	
Switching Capacity	1 Gbps	1.8 Gbps	7.2 Gbps	8.8 Gbps
Packet Forwarding Rate	7.44 Mpps	1.339 Mpps	5.356 Mpps	6.547 Mpps
Internal Cache	448 Kbits	1 Mbits	2.75 Mbits	
PoE Power Supply				
PoE Standard	IEEE 802.3af, IEEE 802.3at Supports 8-core power supply, Ethernet cables 1/2/3/6 and 4/5/7/8 provide simultaneous power supply		Long-distance transmission ports (9-16) support 8-core power supply, Ethernet cables 1/2/3/6 and 4/5/7/8 provide simultaneous power supply	Long-distance transmission ports (17-24) support 8-core power supply, Ethernet cables 1/2/3/6 and 4/5/7/8 provide simultaneous power supply
PoE Power Pin			Close-range transmission ports (1-8) support 4-core power supply, Ethernet cables 1/2/3/6 provide power supply	Close-range transmission ports (1-16) support 4-core power supply, Ethernet cables 1/2/3/6 provide power supply
PoE Port	Ports 1 to 4	Ports 1 to 8	Ports 1 to 16	Ports 1 to 24
Maximum Port Power	30 W			
PoE Power Budget	60 W	115 W	230 W	370 W
Maximum Power Consumption	65 W	120 W	250 W	400 W
General				
Shell	Metal material, fan-free design		Metal material	
Gross Weight	1.6 lbs (0.74 kg)	2.23 lbs (1.01 kg)	7.65 lbs (3.47 kg)	7.98 lbs (3.62 kg)
Net Weight	0.4 lbs (0.2 kg)	0.77 lbs (0.35 kg)	5.84 lbs (2.65 kg)	6.06 lbs (2.75 kg)
Dimensions (L x H x D)	4.1" x 1.1" x 3.3" (105 mm x 27.6 mm x 83.1 mm)	6.7" x 1.1" x 3.7" (170 mm x 27.6 mm x 93.1 mm)	17.3" x 1.73" x 8.7" (440 mm x 44 mm x 220.8 mm)	
Operating Temperature	14° F to 131° F (-10° C to 55° C)			
Storage Temperature	-40° F to 185° F (-40° C to 85° C)			
Operating Humidity	5% to 95% (no condensation)			
Storage Humidity	5% to 95% (no condensation)			
Power Supply	48 VDC, 1.35 A	48 VDC, 2.5 A	100 to 240 VAC, 50/60 Hz, Max. 4 A	100 to 240 VAC, 50/60 Hz, Max. 6.5 A
Power Consumption	5 W		20 W	30 W

Front Panel





DS-3E0318P-E2

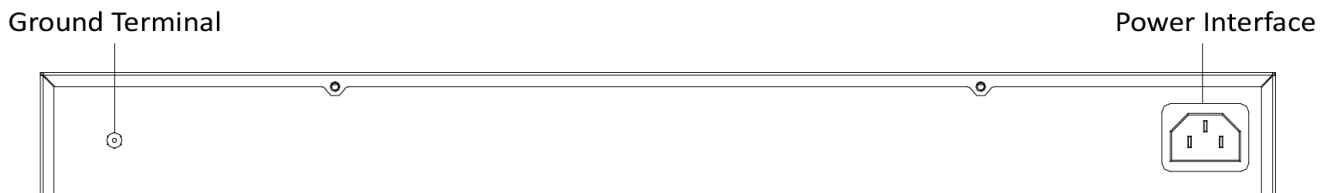


DS-3E0326P-E2

Rear Panel



DS-3E0105P-E2 and DS-3E0109P-E2



DS-3E0318P-E2 and DS-3E0326P-E2