

## DS-K7PEB

### Emergency Break Glass Box

- Fireproof Material, Sandblast Finished
- Output Contact: N.O./N.C./COM
- Suitable for Exit Door, Emergency Door
- 3A @ 36 VDC Maximum
- 7 ozs (0.2 kg)
- Optional Accessories: Glass/Transparent Cover

DS-K7PEB Emergency Break Glass Box is designed for exit doors and emergency doors. It is made of fireproof material and has a sandblast finish. Has Normally Open (N.O.), Normally Closed (N.C.), and common (COM) contact outputs.

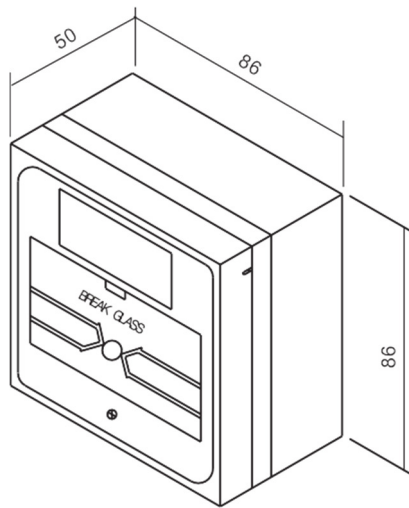
**Available Model:** DS-K7PEB



# Specifications

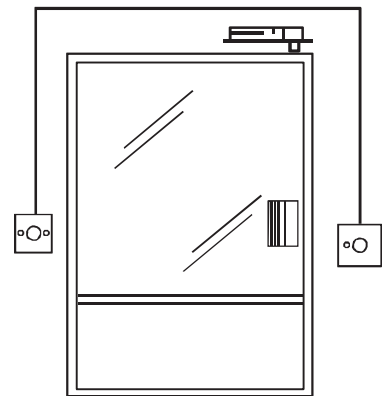
	DS-K7PEB
Dimension (l x w x h)	3.39" x 3.39" x 1.97" (86 mm x 86 mm x 50 mm)
Suitable Doors	Exit doors, emergency doors
Materials	Fireproof material, sandblast finish
Standard Structure	Fireproof material
Color	Red
Output Contacts	N.O./N.C./COM
Current Rating	3 A @ 36 VDC maximum
Working Temperature	14° to 131° F (-10° to +55° C)
Working Humidity	0% to 95% relative humidity
Weight	7 ozs (0.2 kg)
Optional Accessories	Glass, transparent cover

## Dimensions



Units: mm

## Installation



## Wiring

