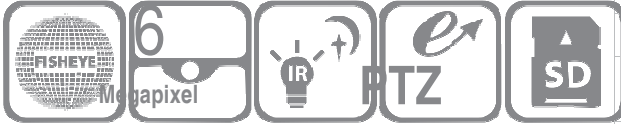


# DS-2CD6362F-I

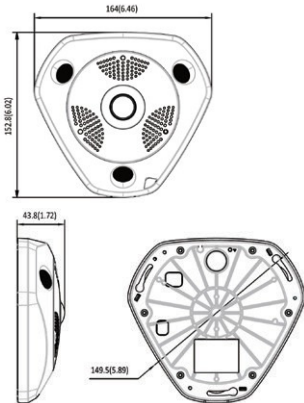
## 6 MP Fisheye Network Camera



### Key Features

- 6 Megapixel Image Sensor
- 1/1.8" Progressive Scan CMOS
- Up to 3072 × 2048 Real-Time Streaming
- 360° View Angle
- Multiple Viewing Modes
- Multiple ePTZ Streams with Preset and Patrol Functions
- Ceiling, Wall, or Table Mount Modes
- Up to 15 Meters IR Range
- Built-In Microphone and Speaker
- IP66
- IK10 Vandal Resistant

### Dimensions (unit: mm)



DS-2CD6362F-I	
<b>Camera</b>	
Image Sensor	1/1.8" progressive scan CMOS
Minimum Illumination	0.3 lux (f/2.8, AGC on); 0 lux with IR
Shutter Speed	1/25 (1/30) s to 1/100,000 s
Lens	1.27 mm, f/2.8; angle of view: 180°
Lens Mount	M12
Day/Night	ICR
<b>Compression Standard</b>	
Video Compression	H.264/MJPEG
H.264 Type	Baseline Profile/Main Profile/High Profile
Video Bit Rate	32 Kbps to 16 Mbps
Audio Compression	G.711/G.726/MP2L2
Audio Bit Rate	64 Kbps (G.711)/16 Kbps (G.726)/64 Kbps (MP2L2)
<b>Network</b>	
Network Storage	NAS, SAMB/CIFS
Alarm Trigger	Motion detection, dynamic analysis, tampering alarm, network disconnect, IP address conflict, storage exception
Protocols	TCP/IP, ICMP, HTTP, HTTPS, FTP, DHCP, DNS, DDNS, RTP, RTSP, RTCP, PPPoE, NTP, UPnP, SMTP, SNMP, IGMP, 802.1X, QoS, IPv6, Bonjour
Security	User authentication, watermark, IP address filtering, anonymous access
Standards	ONVIF, PSIA, CGI, ISAPI
<b>Image</b>	
Maximum Resolution	3072 × 2048
Frame Rate	Fisheye: M1: 15 @ FE (M), PM, 3XePTZ(M) Main: 3072 x 2048, Sub: 1280 x 1280; M2: 30 @ FE(M), 4XePTZ(M) Panorama: M3: 15 @ FE(M), FE(S), 15 @ Main: 2048 x 1536, Sub: 740 x 480 ePTZ(M) M4: 30 @ P(M), P(S) ePTZ: Main: 1024 x 768
Number of Streams	High frame rate mode: 1 or 4; multi-channel: up to 5; (no sub-streams)
Digital Noise Reduction	3D DNR
Wide Dynamic Range	Digital WDR
Image Settings	Saturation, brightness, contrast, hue, sharpness, AGC, white balance
HLC	Supported
Day/Night Switch	Auto/manual/scheduled/alarm trigger
<b>Interface</b>	
Audio Input	1 built-in microphone by default, 24 db
Audio Output	1x built-in speaker by default, supports echo cancellation
Communication Interface	1x built-in speaker by default, supports echo cancellation
On-Board Storage	Built-in microSD/SDXC slot, up to 128 GB
<b>General</b>	
Operating Conditions	-30° C to 60° C (-22° F to 140° F); humidity 95% or less (non-condensing)
Power Supply	12 VDC ±10%/PoE (802.3af)
Power Consumption	Maximum 12 W
IR Range	10 meters (33 feet)
Impact Protection	IEC60068-2-75Eh, 20J; EN50102, up to IK10 (-V)
Ingress Protection Level	IP66 (-V)
Dimensions	164 mm x 152.8 mm x 43.8 mm (6.46" x 6.02" x 1.72")
Weight	~1400 g (~3.09 lbs)

### Order Models

- DS-2CD6362F-I
- DS-2CD6362F-IV (vandal resistant, IP66, IK10)

### Mounting Options

