

DS-2DP1618ZIXS-DE/440/T2 180° Stitched 16 MP PanoVu Camera w/PTZ

PanoVu



Panoramic Camera

- Four 1/1.8" 4 MP progressive scan CMOS
- Up to 5520 × 2400 resolution @ 30 fps
- Horizontal Field of View: 180°
- Vertical Field of View: 85°
- Minimum Illumination
 - Color: 0.0005 Lux @ (f/1.6, AGC On)
 - B/W: 0.0001 Lux @ (f/1.6, AGC On)
- Supports People Density Detection in Panoramic Channel

Tracking PTZ Camera

- 1/1.8" 4 MP Progressive Scan CMOS
- Up to 2560 × 1440 Resolution @ 30 fps
- Pan and Tilt Range: 360° (Pan), -15° to 90° (Tilt)
- Minimum Illumination
 - Color: 0.0005 Lux @ (f/1.2, AGC On)
 - B/W: 0.0001 Lux @ (f/1.2, AGC On)
- 0 Lux with IR
- 40x Optical Zoom, 16x Digital Zoom
- WDR: 120 dB
- IR Distance: 820 ft (250 m)

Hikvision's DS-2DP1618ZIXS-DE/440/T2 180° Stitched 16 MP PanoVu Camera with PTZ is able to capture panoramic as well as close-up images, offering both panorama and details. The panoramic images are captured by four sensors, which could realize 180° panorama monitoring. The integration of two cameras can locate details quickly over expansive areas.

Furthermore, with its advanced video analysis and multiple targets tracking algorithm, this PanoVu camera also features a wide range of smart functions for multiple targets within the panoramic view field, including intrusion detection, line crossing detection, region entrance detection, and region exiting detection. The camera can also output alarm signals to link the PTZ for tracking to improve security efficiency.

This product is suitable for application scenarios in which expansive monitoring and detail capture are both required such as at airports, stations, stadiums, playgrounds, scenic areas, and public squares.

Available Model

DS-2DP1618ZIXS-DE/440/T2



Specifications

Camera Module		
One-Touch Link	Yes	
Tracking Mode	Manual/Auto	
Multiple Targets Tracking	Yes	
Number of Targets	Up to 30 targets can be detected at the same time	
Target Switch Time	<1 s	
Calibration	Manual/Auto	
Tracking Duration	Up to 60 s	
Sensitivity Settings	Yes	
Smart Image Enhancement	HLC, BLC, 3D DNR, Regional Exposure	
Panoramic Camera		
Image Sensor	1/1.8" progressive scan CMOS	
Minimum Illumination	Color: 0.0005 lux @ (f/1.6, AGC on), B/W: 0.0001 lux @ (f/1.6, AGC on)	
Focal Length	2.8 mm	
Privacy Mask	8 programmable polygon privacy masks, mask color configurable	
3D DNR	Yes	
HLC	Yes	
Field of View	Horizontal field of view: 180° Vertical field of view: 85°	
Resolution	Main Stream	60 Hz: 30 fps (5520 × 2400, 4096 × 1800, 3840 × 1680, 2784 × 1200)
	Sub-Stream	60 Hz: 30 fps (2048 × 896, 1280 × 560, 704 × 320)
	Third Stream	60 Hz: 30 fps (4096 × 1800, 3840 × 1680, 2784 × 1200, 2048 × 896, 1280 × 560, 704 × 320)
Tracking PTZ Camera		
Image Sensor	1/1.8" progressive scan CMOS	
Minimum Illumination	Color: 0.0005 lux @ (f/1.2, AGC on), B/W: 0.0001 lux @ (f/1.2, AGC on), 0 lux with IR	
SNR	≥52 dB	
Shutter Speed	1 s to 1/30,000 s	
Slow Shutter	Yes	
Focal Length	6.0 to 240 mm	
Zoom Speed	Approximately 4.4 s	
Field of View (FOV)	Horizontal	56.6° to 1.8° (wide-tele)
	Vertical	33.7° to 1.0° (wide-tele)
	Diagonal	63.4° to 2.0° (wide-tele)
Aperture	f/1.2	
Digital Zoom	16x	
Optical Zoom	40x	
WDR	120 dB	
EIS	Yes	
Optical Defog	Yes	
Regional Focus	Yes	
Pan and Tilt Range	Pan: 360° endless, tilt: -15° to 90° (auto flip)	
Pan and Tilt Speed	Pan manual speed: 0.1°/s to 210°/s (configurable), pan preset speed: 240°/s Tilt manual speed: 0.1°/s to 150°/s (configurable), tilt preset speed: 200°/s	
Proportional Zoom	Yes	
Preset	300	
Patrol Scan	8 patrols	
Pattern Scan	4 patterns	
Park Action	Preset/Pattern Scan/Patrol Scan/Auto Scan/Tilt Scan/Random Scan/Frame Scan/Panorama Scan	
Scheduled Task	Preset/Pattern Scan/Patrol Scan/Auto Scan/Tilt Scan/Random Scan/Frame Scan/Panorama Scan/Dome Reboot/Dome Adjust/Aux Output	
Privacy Mask	24 programmable polygon privacy masks, mask color configurable	
Power-Off Memory	Yes	
3D Positioning	Yes	
PTZ Status Display	Yes	
Preset Freezing	Yes	
Resolution	Main Stream	60 Hz: 30 fps (2560 × 1440, 1920 × 1080, 1280 × 960, 1280 × 720)
	Sub-Stream	60 Hz: 30 fps (704 × 480, 640 × 480, 352 × 240)
	Third Stream	60 Hz: 30 fps (1920 × 1080, 1280 × 960, 1280 × 720, 704 × 480, 640 × 480, 352 × 240)
Illuminator		
IR Distance	820 ft (250 m)	
Smart IR	Yes	
Video		
H.264 Type	Baseline Profile/Main Profile/High Profile	
Video Compression	Main Stream	H.265/H.264
	Sub-Stream	H.265/H.264/MJPEG
	Third Stream	H.265/H.264
	H.264+	Yes
H.265+	Yes	

Specifications (continued)

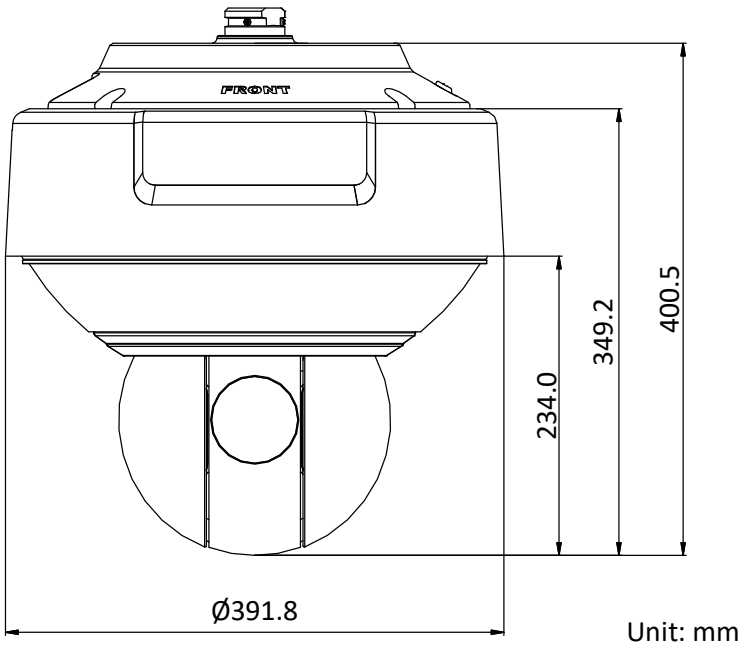
Audio		
Audio Compression	G.711alaw/G.711ulaw/G.722.1/G.726/MP2L2/PCM	
Audio Sampling Rate	MP2L2: 16 kHz, 32 kHz, 44.1 kHz, 48 kHz, PCM: 8 kHz, 16 kHz, 32 kHz, 44.1 kHz, 48 kHz	
Smart Features		
Smart Event	Panoramic Channel	Intrusion detection, line crossing detection, region entrance detection, region exiting detection
	PTZ Channel	Intrusion detection, line crossing detection, region entrance detection, region exiting detection, unattended baggage detection, object removal detection
	Face Capture	PTZ Channel: Support detecting up to 30 faces at the same time. Support detecting, tracking, capturing, grading, selecting of face in motion, and output the best face picture of the face
	People Density	Panoramic Channel: Support detecting the level of people density in the configured area
	Smart Tracking	Manual Tracking; Panoramic Tracking; Event Tracking; support patrol tracking in multiple scenes
	Alarm Linkage	Pre-set, patrol scan, pattern scan, memory card video recording, alarm output, sending e-mail, notify surveillance center, upload to FTP
	Smart Encoding	H.265+, H.264+, ROI, SVC
Network		
Network Storage	NAS (NFS, SMB/CIFS)	
Protocols	TCP/IP, IPv4/IPv6, HTTP, HTTPS, 802.1x, QoS, FTP, SMTP, UPnP, SNMP, DNS, DDNS, NTP, RTSP, RTCP, RTP, UDP, IGMP, ICMP, DHCP, PPPoE, Bonjour	
API	Open-ended API, ONVIF (Profile S, Profile G, Profile T), ISAPI, Hikvision SDK, third-party management platform, ISUP	
Simultaneous Live Views	20	
User/Host	32	
Smooth Streaming	Yes	
Security Measures	Authenticated username and password, MAC address binding, HTTPS encryption, 802.1x authenticated access, IP address filter	
Client	iVMS-4200	
Web Browser	IE 8+	
Interface		
Communication Interface	RJ-45, self-adaptive 10 M/100 M/1000 M Ethernet Interface	
Fiber Interface	FC interface, built-in fiber module, 1000M, TX1310/RX1550 nm wavelength, single module fiber, up to 20 km transmission distance	
On-Board Storage	Built-in microSD slot, supports microSD/microSDHC/microSDXC cards, up to 256 GB	
RS-485	Half duplex, HIKVISION, Pelco-P and Pelco-D self-adaptive	
Alarm Input	7-ch alarm input	
Alarm Output	2-ch alarm output	
Audio Input	1 audio input, 2.0 to 2.4Vp-p, 1k Ω \pm 10%	
Audio Output	1 audio output, line level, impedance: 600 Ω	
General		
Power	36 VDC, maximum 150 W; Hi-POE, maximum 75 W	
Working Temperature	-40° to 70° C (-40° to 158° F)	
Working Humidity	\leq 95%	
Protection	IP66 standard, IK10, 6000V lightning protection, surge protection and voltage transient protection	
Reset	Yes	
De-Mist	Yes	
Material	ADC12	
Dimensions	\varnothing 391.8 mm \times 400.5 mm (\varnothing 15.43" \times 15.77")	
Weight	Approximately 18 kg (39.68 lb)	

DORI





The DORI (detect, observe, recognize, identify) distance gives the general idea of the camera ability to distinguish persons or objects within its field of view. It is calculated based on the camera sensor specification and the criteria given by EN 62676-4: 2015.

DORI	Detect	Observe	Recognize	Identify
Definition	25 px/m	63 px/m	125 px/m	250 px/m
Distance (Tele)	4137.9 m (13575.8 ft)	1642.0 m (5387.1 ft)	827.6 m (2715.2 ft)	413.8 m (1357.6 ft)

Dimensions



Accessories

NOT INCLUDED			
			
WMP-PV-G Wall Mounting Bracket	CPM-PV-G Pendant Mounting Bracket	CPM20-PV-G Pendant Mounting Bracket	DS-1603ZJ-Pole-P Vertical Pole Mounting Bracket