

DS-2DP3236ZIXS-D/440/T2 360° Stitched 32 MP PanoVu Camera w/PTZ

PanoVu



Panoramic Camera

- Eight 1/1.8" 4 MP Progressive Scan CMOS
- Up to 2 x 5520 x 2400 resolution @ 30 fps
- Horizontal Field of View: 2 x 180°
- Vertical Field of View: 85°
- Minimum Illumination
 - Color: 0.0005 Lux @ (f/1.6, AGC On)
 - B/W: 0.0001 Lux @ (f/1.6, AGC On)
- Supports People Density Detection in Panoramic Channel

Tracking PTZ Camera

- 1/1.8" 4 MP progressive scan CMOS
- Up to 2560 x 1440 resolution @ 30 fps
- Pan and tilt range: 360° (Pan), -15° to 90° (Tilt)
- Minimum Illumination
 - Color: 0.0005 Lux @ (f/1.2, AGC On)
 - B/W: 0.0001 Lux @ (f/1.2, AGC On)
- 0 Lux with IR
- 40x Optical Zoom, 16x Digital Zoom
- IR Distance: 820 ft (250 m)

Hikvision's DS-2DP3236ZIXS-D/440/T2 360° Stitched 32 MP PanoVu Camera with PTZ is able to capture panoramic images as well as close-up images, offering both panorama and details. The panoramic images are captured by eight sensors, which could realize 360° panorama monitoring. The integration of two cameras can locate the details fast over an expansive area. Furthermore, with its advanced video analysis and multiple targets tracking algorithm, PanoVu camera also features a wide range of smart functions for multiple targets within the panoramic view field, including intrusion detection, line crossing detection, region entrance detection, and region exiting detection. The camera could also output alarm signals to link the PTZ for tracking to improve security efficiency.

This product is suitable for application scenarios in which expansive monitor and detail capture are both required such as airports, stations, stadiums, playgrounds, scenic areas, and public squares.

Available Model

DS-2DP3236ZIXS-D/440/T2



Specifications

Camera Module		
White Balance	Auto/Manual/ATW (Auto-Tracking White Balance)/Indoor/Outdoor/Fluorescent Lamp/Sodium Lamp	
Day/Night	ICR	
Day/Night Switch	Day, night, auto, scheduled-switch	
Image Settings	Saturation, brightness, contrast, sharpness	
Image Parameters Switch	Yes	
SNR	≥55 dB	
Focus Mode	Auto/Semi-automatic/Manual	
Smart Image Enhancement	HLC, BLC, EIS, 3D DNR, Optical Defog, Regional Focus, Regional Exposure	
Panoramic Camera		
Image Sensor	1/1.8" progressive scan CMOS	
Minimum Illumination	Color: 0.0005 lux @ (f/1.6, AGC on) B/W: 0.0001 lux @ (f/1.6, AGC on)	
Focal Length	2.8 mm	
Field of View	Horizontal field of view: 2 x 180° Vertical field of view: 85°	
Resolution	Main Stream	60 Hz: 30 fps (2 x 5520 x 2400, 2 x 3840 x 1680, 2 x 2784 x 1200)
	Sub-Stream	60 Hz: 30 fps (2 x 2048 x 896, 2 x 1280 x 560, 2 x 704 x 320)
	Third Stream	60 Hz: 30 fps (2 x 4096 x 1800, 2 x 3840 x 1680, 2 x 2784 x 1200, 2 x 2048 x 896, 2 x 1280 x 560, 2 x 704 x 320)
	Privacy Mask	8 programmable polygon privacy masks, mask color configurable
Tracking PTZ Camera		
Image Sensor	1/1.8" progressive scan CMOS	
Minimum Illumination	Color: 0.0005 lux @ (f/1.2, AGC on) B/W: 0.0001 lux @ (f/1.2, AGC on) 0 Lux with IR	
Shutter Speed	1 s to 1/30,000 s	
Slow Shutter	Yes	
Focal Length	6.0 mm to 240 mm	
Zoom Speed	Approximately 4.4 s	
Field of View (FOV)	Horizontal	56.6° to 1.8° (wide-tele)
	Vertical	33.7° to 1.0° (wide-tele)
	Diagonal	63.4° to 2.0° (wide-tele)
Aperture	f/1.2	
Digital Zoom	16x	
Optical Zoom	40x	
WDR	120 dB	
Pan and Tilt Range	Pan: 360° endless, tilt: -15° to 90° (Auto Flip)	
Pan and Tilt Speed	Pan manual speed: 0.1°/s to 210°/s (configurable), pan preset speed: 240°/s Tilt manual speed: 0.1°/s to 150°/s (configurable), tilt preset speed: 200°/s	
Proportional Zoom	Yes	
Preset	300	
Patrol Scan	8 patrols	
Pattern Scan	4 patterns	
Park Action	Preset/Pattern Scan/Patrol Scan/Auto Scan/Tilt Scan/Random Scan/Frame Scan/Panorama Scan	
Scheduled Task	Preset/Pattern Scan/Patrol Scan/Auto Scan/Tilt Scan/Random Scan/Frame Scan/Panorama Scan/Dome Reboot/Dome Adjust/Aux Output	
Privacy Mask	24 programmable polygon privacy masks, mask color configurable	
3D Positioning	Yes	
PTZ Status Display	Yes	
Preset Freezing	Yes	
Resolution	Main Stream	60 Hz: 30 fps (2560 x 1440, 1920 x 1080, 1280 x 960, 1280 x 720)
	Sub-Stream	60 Hz: 30 fps (704 x 480, 640 x 480, 352 x 240)
	Third Stream	60 Hz: 30 fps (1920 x 1080, 1280 x 960, 1280 x 720, 704 x 480, 640 x 480, 352 x 240)
Illuminator		
IR Distance	820 ft (250 m)	
Smart IR	Yes	
Video		
Video Compression	H.265, H.264	
	H.264+ Yes	
	H.265+ Yes	
Audio		
Audio Compression	G.711alaw/G.711ulaw/G.722.1/G.726/MP2L2/PCM	
Audio Sampling Rate	MP2L2: 16 kHz, 32 kHz, 44.1 kHz, 48 kHz, PCM: 8 kHz, 16 kHz, 32 kHz, 44.1 kHz, 48 kHz	

Specifications (continued)

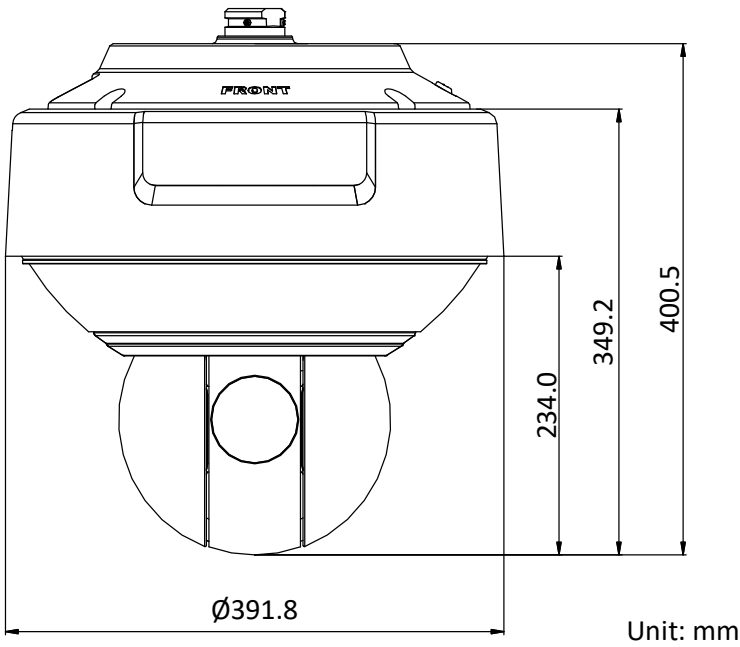
Smart Features		
Smart Event	Panoramic Channel	Intrusion detection, line crossing detection, region entrance detection, region exiting detection
	PTZ Channel	Intrusion detection, line crossing detection, region entrance detection, region exiting detection, unattended baggage detection, object removal detection
	Face Capture	PTZ Channel: Supports detecting up to 30 faces at the same time. Support detecting, tracking, capturing, grading, selecting of face in motion, and output the best face picture of the face
	People Density	Panoramic Channel: Supports detecting the level of people density in the configured area
	Smart Tracking	Manual Tracking; Panoramic Tracking; Event Tracking; supports patrol tracking in multiple scenes
	Alarm Linkage	Preset, patrol scan, pattern scan, memory card video recording, alarm output, sending e-mail, notify surveillance center, upload to FTP
	Smart Encoding	H.265+, H.264+, low bit rate, ROI, SVC
Network		
	Network Storage	NAS (NFS, SMB/CIFS)
	Protocols	TCP/IP, IPv4/IPv6, HTTP, HTTPS, 802.1x, QoS, FTP, SMTP, UPnP, SNMP, DNS, DDNS, NTP, RTSP, RTCP, RTP, UDP, IGMP, ICMP, DHCP, PPPoE, Bonjour
	API	Open-ended API, ONVIF (Profile S, Profile G, Profile T), ISAPI, Hikvision SDK, Third-party management platform, ISUP
	Simultaneous Live View	20
	User/Host	32
	Smooth Streaming	Yes
	Security Measures	Authenticated username and password, MAC address binding, HTTPS encryption, 802.1x authenticated access, IP address filter
	Client	iVMS-4200
	Web Browser	IE 8+
Interface		
	Communication Interface	RJ-45, self-adaptive 10 M/100 M/1000 M Ethernet interface
	Fiber Interface	FC interface, built-in fiber module, 1000M, TX1310/RX1550 nm wavelength, single module fiber, up to 20 km transmission distance
	On-Board Storage	Built-in microSD slot, support microSD/microSDHC/microSDXC cards, up to 256 GB
	RS-485	Half duplex, HIKVISION, Pelco-P and Pelco-D self-adaptive
	Alarm Input	7-ch alarm input
	Alarm Output	2-ch alarm output
	Audio Input	1 audio input, 2.0 to 2.4Vp-p, 1k Ω \pm 10%
	Audio Output	1 audio output, line level, impedance: 600 Ω
General		
	Power	36 VDC, maximum 150 W
	Working Temperature	-40° to 60° C (-40° to 140° F)
	Working Humidity	\leq 95% non-condensing
	Protection	IP66 standard, IK10, 6000V lightning protection, surge protection, and voltage transient protection
	Reset	Yes
	De-mist	Yes
	Material	ADC12
	Dimensions	\varnothing 391.8 mm x 400.5 mm (\varnothing 15.43" x 15.77")
	Weight	Approximately 18 kg (39.68 lb)

DORI





The DORI (detect, observe, recognize, identify) distance gives the general idea of the camera's ability to distinguish persons or objects within its field of view. It is calculated based on the camera sensor specification and the criteria given by EN 62676-4: 2015.

DORI	Detect	Observe	Recognize	Identify
Definition	25 px/m	63 px/m	125 px/m	250 px/m
Distance (Tele)	4137.9 m (13575.8 ft)	1642.0 m (5387.1 ft)	827.6 m (2715.2 ft)	413.8 m (1357.6 ft)

Dimensions



Accessories

NOT INCLUDED			
			
WMP-PV-G Wall Mounting Bracket	CPM-PV-G Pendant Mounting Bracket	CPM20-PV-G Pendant Mounting Bracket	DS-1603ZJ-Pole-P Vertical Pole Mounting Bracket