

## DS-2TP31B-3AUF<sup>1</sup> Handheld Thermography Thermal Camera



Hikvision's DS-2TP31B-3AUF Handheld Thermography Thermal camera is specially designed to detect elevated skin-surface temperature with high accuracy in real time. It is equipped with a 160×120 resolution thermal detector. It can be widely used for preliminary temperature screening in office buildings, factories, stations, airports, and other public places.

### Available Model

DS-2TP31B-3AUF

- 160 × 120 Resolution
- Thermographic Accuracy:  $\pm 0.9^{\circ}\text{F}$  ( $\pm 0.5^{\circ}\text{C}$ )
- 320 × 240 Resolution, 2.4" LCD Display
- Built-In Rechargeable Li-Ion Battery
- Up to 8 Hours Continuous Operation
- Displays Real-Time Temperature on Screen
- 8 GB MicroSD Memory Card (128 GB Maximum) To Store Snapshots/Data
- Supports 4 Palettes

<sup>1</sup>**U.S. Disclaimer:** Hikvision Highly Accurate Thermographic Cameras and Terminals (HAT Cameras and Terminals) are not FDA-cleared or approved. The HAT Cameras and Terminals shall not be solely or primarily used as an effective diagnostic device for COVID-19. Elevated body temperature should be confirmed with secondary evaluation methods [e.g., an NCIT or clinical grade contact thermometer]. Users, through their experience with the Hikvision HAT Cameras and Terminals in the particular environment of use, should determine the significance of any fever or elevated temperature based on the skin telethermographic temperature measurement. Visible thermal patterns are intended only for locating the points from which to extract the thermal measurement.

To ensure the accuracy of the human skin-surface temperature measurement, the technology shall be used to measure only one subject's temperature at a time and shall not be used to measure multiple individuals' temperatures simultaneously.

**Canada Disclaimer:** Hikvision Elevated Skin Temperature Cameras and Terminals (EST Cameras and Terminals) shall not be solely or primarily used as an effective diagnostic device for COVID-19. Elevated body temperature should be confirmed with secondary evaluation methods [e.g., a Health Canada approved contact thermometer]. Users, through their experience with the Hikvision EST Cameras and Terminals in the particular environment of use, should determine the significance of any fever or elevated temperature based on the skin telethermographic temperature measurement. Visible thermal patterns are intended only for locating the points from which to extract the thermal measurement.

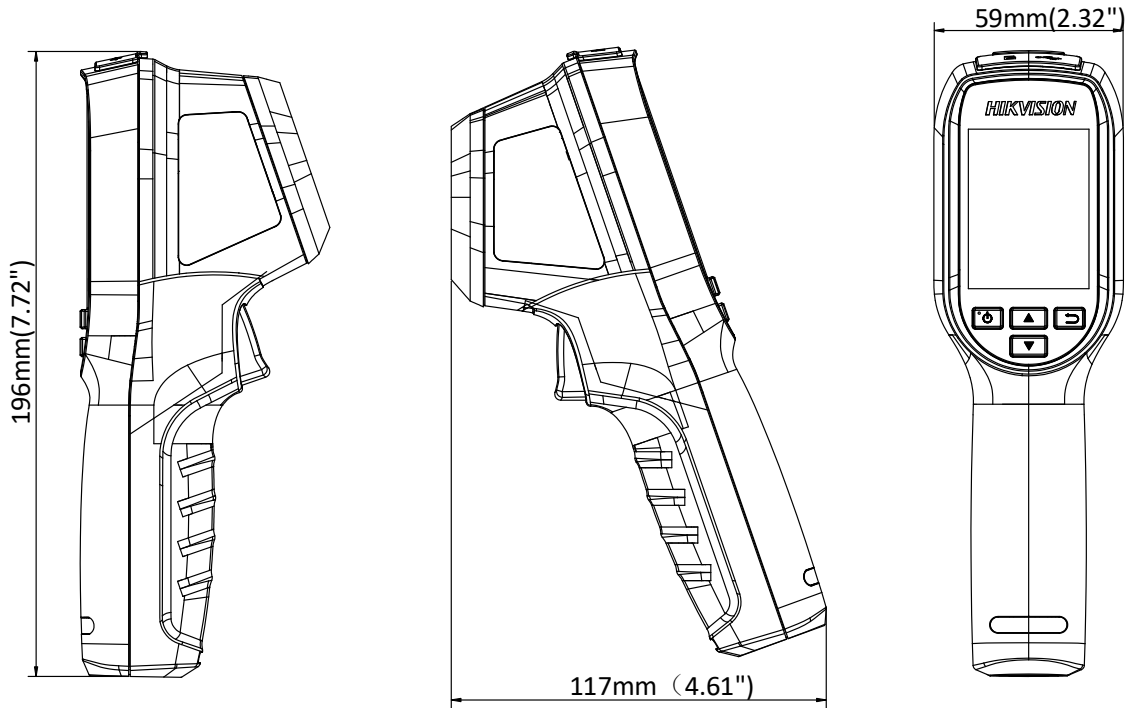
To ensure the accuracy of the human skin-surface temperature measurement, the technology shall be used to measure only one subject's temperature at a time and shall not be used to measure multiple individuals' temperatures simultaneously.

# Specifications

DS-2TP31B-3AUF		
Thermal Module	Image Sensor	Uncooled focal plane arrays
	Maximum Resolution	160 × 120
	Pixel Pitch	17 μm
	Response Waveband	8 μm to 14 μm
	NETD	<40 mK (@ 25° C, F#=1.0)
	Field of View	37.2° × 50°
	Focal Length	3.1 mm
	I FOV (mrad)	5.48 mrad
	Minimum Focus Length	≥5.9" (≥150 mm)
	Aperture	f/1.1
Image Display	Monitor	320 × 240 resolution 2.4" LCD display
	Palettes	Black hot, white hot, rainbow, ironbow
Thermography	Rules	3 thermometry points: maximum temperature, minimum temperature, center temperature
	Recommended Subject Distance	3' 4" (1 m)
	Thermographic Range	86° to 113° F (30° to 45° C)
	Thermographic Accuracy	±0.9° F (±0.5° C)
Battery	Battery Type	Rechargeable lithium battery
	Battery Operating Time	8 hours continuous operation
General	Storage	MicroSD memory card slot (includes 8 GB, supports up to 128 GB storage)
	Photo	Thermal image
	Language	English
	Power	3.7 VDC/0.4 A
	Power Consumption	Less than 1.2 W
	Hardware Interface	Micro USB
	Working Temperature	(10° to 35° C)
	Protection Level	IP54
	Drop Test Height	6.56 ft (2 m)
	Dimension	7.7" × 4.6" × 2.3" (196 mm × 117 mm × 59 mm)
	Weight	Approximately <0.77 lb (<350 g)
	Included Accessories	Power adaptor, USB cable, 8 GB microSD memory card, user manual, disc, wrist strap

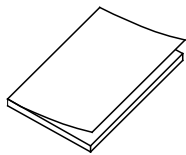
## Dimensions

---

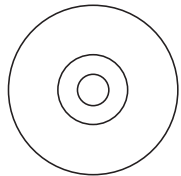


## Box Contents

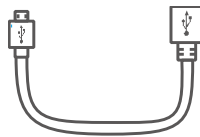
---



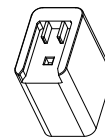
User Manual x 1



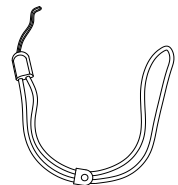
Disc



USB Cable x 1



Power Adapter x 1



Wrist Strap x 1