

DS-2CE57H8T-VPITF

5 MP Outdoor Fixed Lens Ultra-Low Light Dome Camera

TurboHD



- 5 MP High Performance CMOS
- Up to 2560 x 1944 Resolution
- 2.8 mm and 3.6 mm Fixed Lens Options
- Smart IR
- 130 dB True WDR, 3D DNR
- EXIR 2.0 up to 98 ft (30 m) IR Range
- Multiprotocol Output: TVI/AHD/CVI/CVBS
- Up-the-Coax (HIKVISION-C)
- IP67 and IK10 Protection

The Hikvision DS-2CE57H8T-VPITF 5 MP Outdoor Fixed Lens Ultra-Low Light Dome Camera provides high definition analog output. TurboHD means that the video signal can be sent over existing coaxial cable, eliminating the need to run new cables for high definition video.

EXIR 2.0 is Hikvision's proprietary IR extended range technology, which has a range of 100 feet (30 meters).

The 2.8 mm and 3.6 mm fixed lens options are optimized for viewing angles to fit any situation. 130 dB WDR (Wide Dynamic Range) ensures that ideal images are captured regardless of the lighting conditions.

Available models

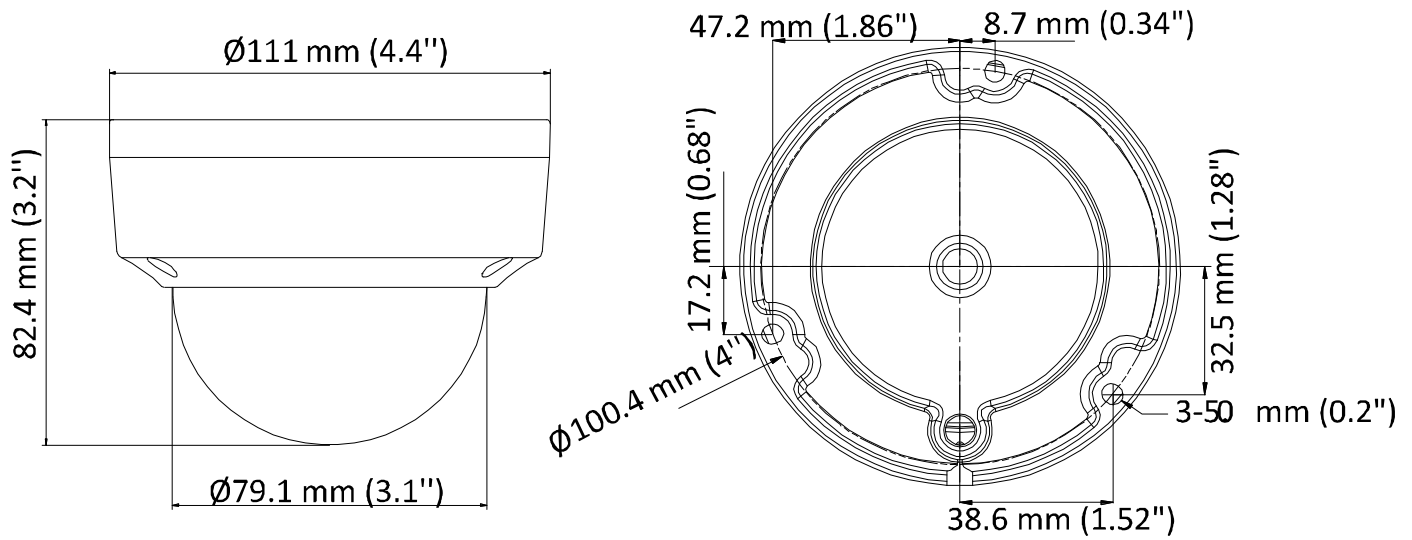
DS-2CE57H8T-VPIT



Specifications

DS-2CE57H8T-VPITF	
Camera	
Image Sensor	5 MP progressive scan CMOS
Resolution	2560 (H) × 1944 (V)
Minimum Illumination	Color: 0.003 lux @ (f/1.2, AGC on), 0 lux with IR
Frame Rate	TVI: 2 MP @ 25 fps, 2 MP @ 30 fps, 4 MP @ 25 fps, 4 MP @ 30 fps, 5 MP @ 20 fps AHD: 4 MP @ 25 fps, 4 MP @ 30 fps, 5 MP @ 20 fps CVI: 4 MP @ 25 fps, 4 MP @ 30 fps CVBS: NTSC
Shutter Speed	1/30 s to 1/50, 000 s
Lens	2.8 mm or 3.6 mm fixed lens
Horizontal Field of View	98° (2.8 mm), 78° (3.6 mm)
Lens Mount	M12
Day/Night	IR cut filter
Angle Adjustment	Pan: 0° to 355°; tilt: 0° to 75°; rotate: 0° to 355°
Synchronization	Internal Synchronization
WDR	≥130 dB
Signal System	NTSC
Menu	
AGC	Yes
Day/Night Mode	Auto/color/BW (black and white)
White Balance	Auto/manual
BLC	Yes
WDR	Yes
3D DNR	Level 1 to 9
Privacy Mask	4 programmable privacy masks
Motion Detection	4 programmable areas
Language	English
Functions	Contrast, sharpness, 3D DNR, mirror, Smart IR
Interface	
Video Output	1 HD analog output
Switch Button	TVI/AHD/CVI/CVBS
General	
Operating Conditions	-40° to 140° F (-40° to 60° C), humidity: 90% or less (non-condensing)
Power Supply	12 VDC ±25% (only one power adapter can be used per camera)
Power Consumption	Maximum 5.8 W
Protection Level	IP67, IK10
Material	Metal
IR Range	Up to 98 ft (30 m)
Communication	Up-the-Coax, Protocol: HIKVISION-C (HD-TVI output)
Dimensions	Ø4.4" x 3.2" (Ø111 mm x 82.4 mm)
Weight	Approximately 1.10 lbs (500 g)

Dimensions



Accessories

NOT INCLUDED						
						
WMS Wall Mount Short	PC110 110 mm Pendant Cap	PM Pole Mount Adapter	WM110 Plastic Wall Mount	CB110 Conduit Base	AB110 Angled Base	CPM Ceiling Pendant Mount