

MV-PD-030001-01

Fixed Under Vehicle Surveillance System (UVSS)

- 2048 x 16800 Resolution, Supports Tiled Display
- Matching High Speed/Non-Uniform Movement, w/No Motion Blur
- FOV 180°
- Automatic Trigger by Sense Coil
- Waterproof, Anti-Fog, Anti-Corrosion
- Supports Heavy Vehicles
- Illumination Optimized for Vehicle Undercarriage
- Accessible to Hikvision Platform, ANPR, Custom Client's Requirements
- Compatible with GigE Vision Protocol and Third-Party Platforms



Hikvision's MV-PD-030001-01 Fixed Under Vehicle Surveillance System (UVSS) is an information management system that integrates with automatic collection of underlying vehicle image, display, and storage functions. Through accurate real-time scanning of the underlying vehicle image, synchronous displaying the broad and full image of the vehicle undercarriage on the monitor, and sorting stored data, this system can effectively prevent car bombs, hidden weapons, biochemical hazardous goods, and dangerous people from entering and/or exiting the facilities.

This UVSS improves detection speed, accuracy, and security level, while minimizing human resources and capital investment.

Application Scenarios

Anti-Terrorist Inspection. Monitoring entrances and exits in key areas (e.g., airports, prisons, important material warehouses, oil depots, bank of reservoir areas etc.).

Security Inspection. Inspecting entrances and exits of key areas for security (e.g., government, army, public security organization, defense industry enterprise, embassies, consulates, etc.).

Customs Border Inspection.

Parking Entrance Inspection.

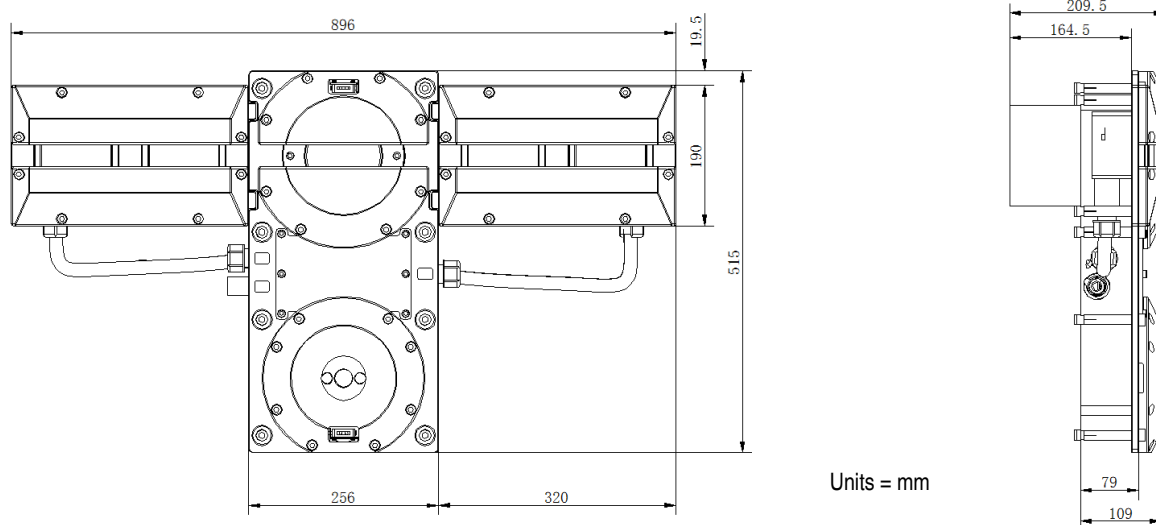
Available Models

MV-PD-030001-01: Coil trigger

Specifications

MV-PD-030001-01	
Description	Fixed under vehicle surveillance system
Maximum Resolution	2048 x 16800
Trigger	Coil
FOV	180°
Vehicle Chassis Width	≤ 13.12 ft (4000 mm)
Vehicle Chassis Height	≥ 2.36" (60 mm)
Detection Speed	≤ 75 mph (120 km/h), real-time speed matching
Picture Format	JPEG
Power Consumption	100 to 240 VAC, <200 W
Working Temperature	-13° to 158° F (-25° to 70° C)
Protection Level	IP68
Load-Bearing	60,000 lbs
OS	Windows 7

Dimensions



Typical Application

