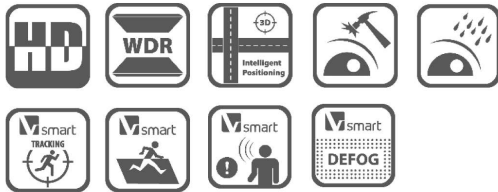


DS-2DF8236I-AEL

2 MP Ultra-Low Light Smart PTZ Camera



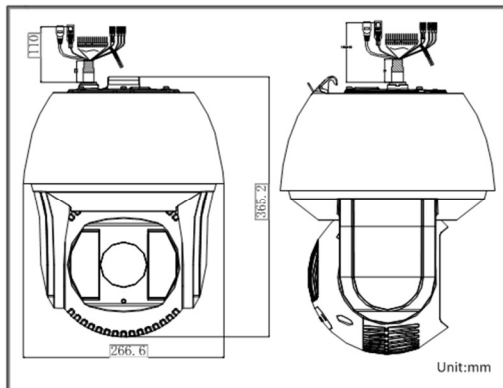
DARKFIGHTER



Key Features

- 1/1.9" HD CMOS Sensor
- Optical Defog
- 2 MP (1920 x 1080) Full HD
- 36x Optical Zoom
- Ultra-Low Illumination
- 120 dB True WDR
- Smart Tracking
- Smart Detection
- EIS (Electronic Image Stabilization)
- 200 Meters (650 ft) IR Range
- Hi-PoE/24 VAC Power

Dimensions



Accessories

WMP-L, Wall Mount
CMP, Corner Mount
JBP, Power Box Mount

CPM-S, Ceiling Mount Short
PMP, Pole Mount
DS-1100KI, Network Keyboard

| DS-2DF8236I-AEL | |
|---------------------------|---|
| Camera Module | |
| Image Sensor | 1/1.9" progressive scan CMOS |
| Minimum Illumination | f/1.5, AGC on: color: 0.002 lux, B/W: 0.0002 lux, 0 lux with IR |
| Max. Image Resolution | 1920 × 1080 |
| Focal Length | 5.7 mm to 205.2 mm, 36x |
| Digital Zoom | 16x |
| Zoom Speed | Approximately 3.3 s (optical wide to tele) |
| Angle of View | 58.7° to 2.0° (wide to tele) |
| Min. Working Distance | 10 mm to 1500 mm (wide to tele) |
| Aperture Range | f/1.5 to f/3.4 |
| Focus Mode | Auto/semiautomatic/manual |
| WDR | 120 dB |
| S/N Ratio | ≥ 55 dB |
| Shutter Speed | 1 s to 1/30,000 s |
| AGC | Auto/manual |
| White Balance | Auto/manual/ATW/indoor/outdoor/daylight lamp/sodium lamp |
| Day/Night | IR cut filter |
| Privacy Mask | 24 privacy masks programmable; optional multiple colors and mosaics |
| Optical Defog | Supported |
| Enhancements | 3D DNR, EIS, HLC/BLC, SVC |
| Pan and Tilt | |
| Range | Pan: 360° endless; tilt: -20° to 90° (auto flip) |
| Speed | Pan manual speed: 0.1° to 160°/s, pan preset speed: 240°/s Tilt manual speed: 0.1° to 120°/s, tilt preset speed: 200°/s |
| Number of Presets | 300 |
| Patrols | 8 patrols, up to 32 presets per patrol |
| Patterns | 4 patterns, with recording time not less than 10 minutes per pattern |
| Park Actions | Preset/patrol/pattern/auto scan/tilt scan/random scan/frame scan/panorama scan |
| Scheduled Tasks | Preset/patrol/pattern/auto scan/tilt scan/random scan/frame scan/panorama scan/dome reboot/dome adjust/aux output |
| Smart Features | |
| Smart Tracking | Manual/panorama/intrusion trigger/line crossing trigger/region entrance trigger/region exiting trigger/unattended baggage trigger/object removal trigger smart tracking when patrol between multiple scenarios |
| Smart Detection | Intrusion detection, line crossing detection, audio exception detection, region entrance detection, region exiting detection, unattended baggage detection, object removal detection |
| ROI Encoding | Supports 24 areas with adjustable levels |
| Infrared | |
| IR Range | Up to 200 meters (650 ft) |
| IR Intensity | Automatically adjusted, depending on zoom ratio |
| Alarm | |
| Alarm I/O | 7/2 |
| Alarm Triggers | Intrusion detection, line crossing detection, region entrance, region exiting, audio exception detection, unattended baggage detection, object removal detection, motion detection, dynamic analysis, tampering alarm, network disconnect, IP address conflict, storage exception |
| Alarm Action | Preset, patrol, pattern, microSD/SDHC card recording, relay output, notification on client, send e-mail, upload to FTP, trigger channel |
| Input/Output | |
| Monitor Output | 1.0 V _{p-p} /75 Ω, NTSC composite, BNC |
| Audio Input | 1 mic in/line in interface, line input: 2 to 2.4 V _{p-p} ; output impedance: 1 K Ω, ±10% |
| Audio Output | 1 audio output interface, line level, impedance: 600 Ω |
| Network | |
| Ethernet | 10Base-T/100Base-TX, RJ-45 connector |
| Main Stream | 30 fps (1920 × 1080, 1280 × 960, 1280 × 720) |
| Sub Stream | 30 fps (704 × 480, 352 × 240, 176 × 120) |
| Third Stream | 30 fps (1920 × 1080, 1280 × 960, 1280 × 720, 704 × 480, 352 × 240, 176 × 120) |
| Image Compression | H.264/MJPEG/MPEG4, H.264 encoding with Baseline/Main/High profile |
| Audio Compression | G.711ulaw/G.711alaw/G.726/MP2L2/G.722/PCM |
| Protocols | IPv4/IPv6, HTTP, HTTPS, 802.1X, QoS, FTP, SMTP, UPnP, SNMP, DNS, DDNS, NTP, RTSP, RTP, TCP, UDP, IGMP, ICMP, DHCP, PPPoE |
| Simultaneous Live Views | Up to 20 users |
| MicroSD Memory Card | Supports up to 128 GB microSD/SDHC/SDXC card, supports Edge recording |
| User/Host Level | Up to 32 users, 3 levels: administrator, operator, and user |
| Security Measures | User authentication (ID and PW); host authentication (MAC address); IP address filtering |
| System Integration | |
| Application Programming | Open-ended API, supports ONVIF, PSIA, CGI, and ISAPI |
| Web Browser | IE 7+, Chrome 18+, Firefox 5.0+, Safari 5.02+, supports multi-language |
| RS-485 Protocols | HIKVISION, Pelco-P, Pelco-D, self-adaptive |
| Power | High-PoE and 24 VAC, maximum 60 W |
| Working Temperature | -40° C to 65° C (-40° F to 149° F) |
| Humidity | 90% or less |
| Protection Level | IP66, IK10, TVS 6,000 V lightning protection, surge protection and voltage transient protection |
| Certifications | FCC, CE, UL, RoHS, IEC/EN 61000, IEC/EN 55022, IEC/EN 55024, IEC/EN 60950-1 |
| Dimensions | Φ266.6 mm × 365.2 mm (10.5" × 14.38") |
| Weight (approximate) | ~8 kg (~17.64 lbs) |

CPM-L, Pendant Mount Long
DS-1005KI, USB Joystick