

DS-2CD63C2F-IV

12 MP Network Indoor/Outdoor Fisheye Camera



- 360° Panoramic View
- High Resolution 12 MP (4000 × 3072) @ 20 fps
- Up to 14 Live View Display Modes
- Digital WDR
- Up to 50 ft (15 m) IR Range
- Line Crossing, Intrusion Detection
- Heat Map Feature
- IP66 and IK10 Protection
- 12 VDC, PoE (802.3at)
- MicroSD Card Slot, up to 128 GB
- Built in Speaker and Microphone



DS-2CD63C2F-IV is a fisheye network camera capable of providing a 360 degree panoramic image of its surveillance scene.

The progressive scan CMOS sensor provides 12 MP high-resolution images.

Up to 14 live view display modes, designed for three mount types and two decoding modes, meet the major needs of different preferences.

An IR range of 50 feet (15 meters) provides good visibility in low or even zero-light environments.

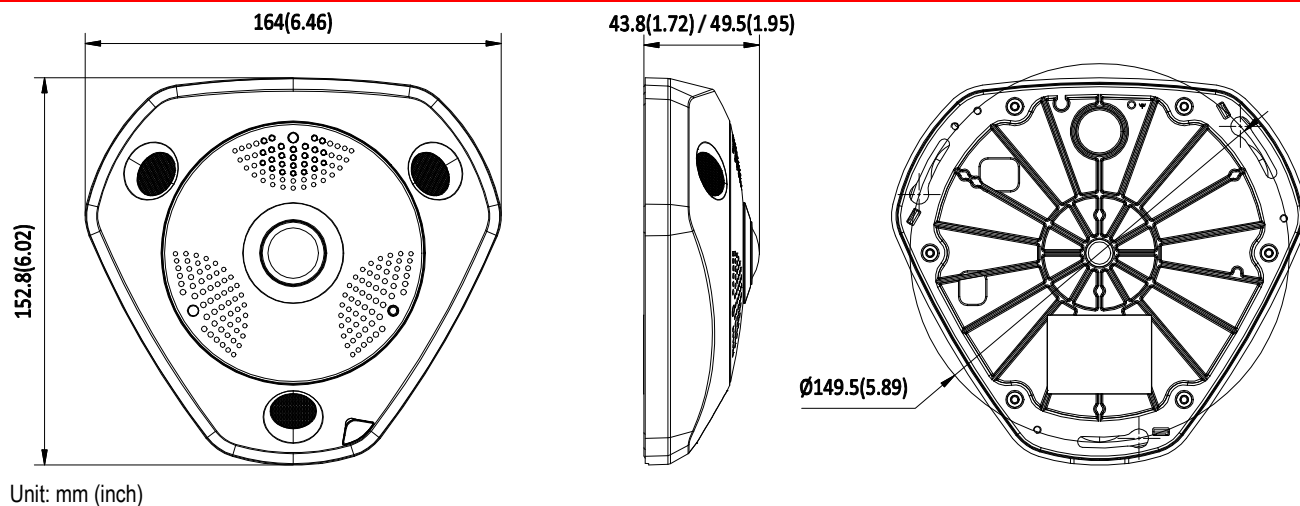
Available Model: DS-2CD63C2F-IV



DS-2CD63C2F-IVS

Camera	
Image Sensor	1/1.7" progressive scan CMOS
Minimum Illumination	0.04 lux @ (f2.4, AGC on), 0 lux with IR
Shutter Speed	1/3 s to 1/100,000 s
Slow Shutter	Supported
Lens	2 mm @ f2.4, horizontal field of view: 180° (wall mount), 360° (ceiling mount), 360° (table mount)
Lens Mount	M12
Day/Night	IR cut filter
Digital Noise Reduction	3D DNR
WDR	Digital WDR
Compression Standard	
Video Compression	Main stream: H.264 Sub stream: H.264/MJPEG
H.264 Type	Baseline profile/main profile/high profile
H.264+	Support only when the display mode is Fisheye View
Video Bit Rate	256 Kbps to 16 Mbps
Audio Compression	G.711/G.722.1/G.726/MP2L2/PCM
Audio Bit Rate	64 Kbps (G.711)/16 Kbps (G.722.1)/16 Kbps (G.726)/32 to 160 Kbps (MP2L2)
Image	
Maximum Resolution	4000 × 3072
Fisheye View Main Stream	50 Hz: 20 fps (4000 × 3072), 25 fps (3072 × 3072, 2560 × 2560)
Maximum Frame Rate	60 Hz: 20 fps (4000 × 3072), 24 fps (3072 × 3072), 30 fps (2560 × 2560)
Fisheye View Sub Stream	50 Hz: 12.5 fps (720 × 720, 720 × 576)
Maximum Frame Rate	60 Hz: 15 fps (720 × 720, 704 × 480)
Image Enhancement	BLC/3D DNR
Image Setting	Saturation, brightness, contrast, sharpness adjustable by client software or Web browser
Region of Interest	Supports three fixed regions for each stream
Day/Night Switch	Auto/schedule/triggered by alarm in
Picture Overlay	Logo picture can be overlaid on video with 128 × 128 24-bit bmp format
Live View Display	
Mount Type	Supports table, wall, and ceiling
Decoding Mode	Supports hardware decoding and software decoding
Display Mode	Supports 14 display modes in total (including display modes of different mount types and decoding modes): Fisheye View, 180 Panorama View, 4PTZ, Fisheye + 3PTZ, 360 Panorama View, 360 Panorama + PTZ, 360 Panorama + 3PTZ, 360 Panorama + 6PTZ, 360 Panorama + 8PTZ, 2PTZ, Fisheye + 8PTZ, Panorama View, Panorama + 3PTZ, Panorama + 8PTZ
Smart Feature Set	
Intrusion Detection	Cross a pre-defined virtual line, up to four pre-defined virtual lines supported
Line Crossing Detection	Enter and loiter in a pre-defined virtual region, up to four pre-defined virtual regions supported
Heat Map	A graphical representation of visitation density in a configured area.
Network	
Network Storage	Supports microSD/SDHC/SDXC card (128 GB), local storage, and NAS (NFS, SMB/CIFS), ANR
Alarm Trigger	Motion detection, video tampering alarm, network disconnected, IP address conflicted, illegal login, HDD full, HDD error
Protocols	TCP/IP, UDP, ICMP, HTTP, HTTPS, FTP, DHCP, DNS, DDNS, RTP, RTSP, RTCP, PPPoE, NTP, UPnP, SMTP, SNMP, IGMP, 802.1X, QoS, IPv6, Bonjour
General Function	One-key reset, anti-flicker, heartbeat, password protection, privacy mask, watermark, IP address filter
Standard	ONVIF (PROFILE S, PROFILE G), PSIA, CGI, ISAPI
Interface	
Communication Interface	1 RJ-45 10M/100M/1000M Ethernet port
Audio Input	1 built-in microphone, -42 dB
Audio Output	1 built-in speaker, support echo cancellation
On-Board Storage	Built-in microSD/SDHC/SDXC slot, up to 128 GB
Reset Button	Yes
General	
Operating Conditions	Indoor temperature: 14° F to +122° F (-10° C to +50° C) Outdoor temperature: -22° F to +140° F (-30° C to +60° C) Humidity 95% or less (non-condensing)
Power Supply	12 VDC ±10%, 0.94 A PoE (802.3at, class 4), 0.41 to 0.26 A
Power Consumption	Maximum 14.7 W
IR Range	49.2 ft (15 m)
Protection Level	IEC60068-2-75Eh, 20J; EN50102, up to IK10 for camera housing IP66
Dimensions	6.46" × 6.02" × 1.95" (164 mm × 152.8 mm × 49.5 mm)
Weight	3.09 lbs (1400 g)

Dimensions



Accessories

			
CB-FE Junction Box	AB-FE Inclined Ceiling Mount	PC-FE + WML Wall Mount	PC-FE + CPM Pendant Mount