

## DS-2CD6424FWD-20/E

### 2 MP Covert Network Camera w/Height Strip



Hikvision's DS-2CD6424FWD-20/E covert camera is embedded into a height strip to capture a person's face as they leave or enter a facility.

The IP camera is ideal for loss prevention, shrink, inventory control, and crime reduction applications. Features include a nearly 80 degree viewing angle, Smart video analytics, on-board SD card slot, and audio and alarm inputs and outputs.

#### Available Models:

DS-2CD6424FWD-20/E

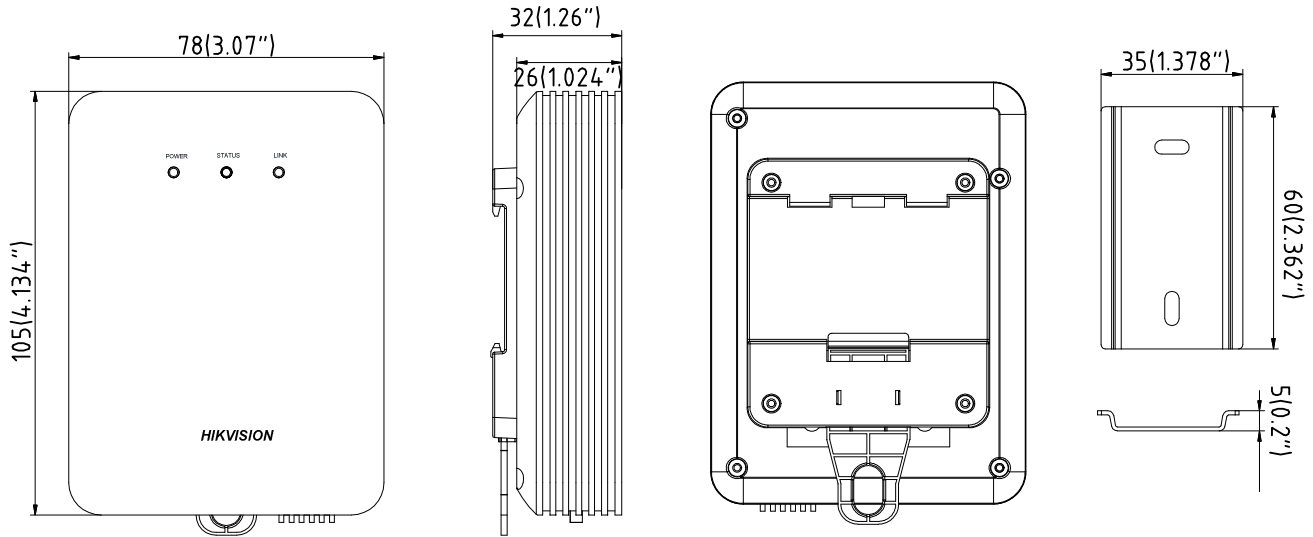
- 1/2.7" Progressive Scan CMOS
- Maximum 1920 × 1080 @ 30 fps
- WDR, up to 120 dB
- 12 VDC, PoE
- MicroSD/SDHC/SDXC Card Slot, up to 128 GB
- BLC, Defog

# Specifications

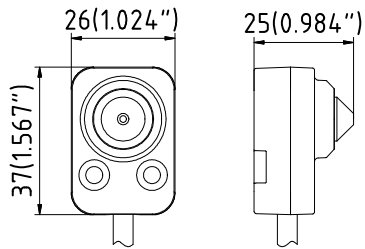
<b>Camera</b>	
Image Sensor	1/2.7" progressive scan CMOS
Minimum Illumination	0.01 lux @ (f/1.2, AGC on) 0.028 lux @ (f/2.0, AGC on)
Shutter Speed	1/3 s to 1/100,000 s
Slow Shutter	Supported
Lens	3.7 mm @ f/2.5, angle of view: 78.5°
Lens Mount	M12
Day/Night	Electronic
Digital Noise Reduction	3D DNR
WDR	120 dB WDR
Lens Cable Length	6.56 ft (2 m) or 26.25 ft (8 m) options
<b>Compression Standard</b>	
Video Compression	Main stream: H.264 Sub stream: H.264/MJPEG Third stream: H.264/MJPEG
H.264 Type	Main Profile/High Profile
H.264+	Supported
Video Bit Rate	32 Kbps – 16 Mbps
Audio Compression	G.711/G.722.1/G.726/MP2L2/PCM
Audio Bit Rate	64 Kbps (G.711)/16 Kbps (G.722.1)/16 Kbps (G.726)/32-160 Kbps (MP2L2)
<b>Image</b>	
Maximum Resolution	1920 × 1080
Main Stream Maximum Frame Rate	30 fps (1920 × 1080, 1280 × 960, 1280 × 720)
Sub Stream Maximum Frame Rate	30 fps (704 × 480, 640 × 480, 352 × 240)
Third Stream Maximum Frame Rate	10 fps (1920 × 1080, 1280 × 960, 1280 × 720, 704 × 480, 640 × 480, 352 × 240)
Image Enhancement	BLC/3D DNR/defog
Image Setting	Saturation, brightness, contrast, sharpness adjustable by client software or Web browser
Region of Interest	Supports 4 fixed region for each stream, and dynamic face tracking
Day/Night Switch	Auto/scheduled/triggered by alarm In
Picture Overlay	Logo can be overlaid on video with 128 × 128 24-bit bmp format
Target Cropping	Supported
<b>Audio</b>	
Environment Noise Filtering	Supported
Audio I/O	Supported
Audio Sampling Rate	Maximum 48 kHz
<b>Smart Feature-set</b>	
Line Crossing Detection	Cross a pre-defined virtual line, 1 pre-defined virtual line supported
Intrusion Detection	Enter and loiter in a pre-defined virtual region, 1 pre-defined virtual region supported
Exception Detections	Scene change detection, audio exception detection, defocus detection
Recognition	Face detection recognition
<b>Network</b>	
Network Storage	Supports microSD/SDHC/SDXC card (128 GB), local storage, and NAS (NFS,SMB/CIFS), ANR
Alarm Trigger	Motion detection, video tampering alarm, network disconnected, IP address conflicted, illegal login, HDD full, HDD error
Protocols	TCP/IP, ICMP, HTTP, HTTPS, FTP, DHCP, DNS, DDNS, RTP, RTSP, RTCP, PPPoE, NTP, UPnP, SMTP, SNMP, IGMP, 802.1X, QoS, IPv6, Bonjour
General Function	One-key reset, anti-flicker, heartbeat, password protection, privacy mask, watermark, IP address filter
Standard	ONVIF (PROFILE S, PEOFILE G), ISAPI
<b>Interface</b>	
Communication Interface	1 RJ-45 10M/100M/1000M Ethernet port
Audio I/O	1-ch 3.5 mm audio in (mic in/line in), 1-ch 3.5 mm audio out
Alarm	1-ch alarm input, 1-ch alarm output (up to 24 VDC 1A or 110 VAC 500 mA)
On-Board Storage	Built-in microSD/SDHC/SDXC slot, up to 128 GB
Reset Button	Yes
<b>General</b>	
Operating Conditions	Temperature : -30° to +60° C (-22° to +140° F) Humidity 95% or less (non-condensing)
Power Supply	12 VDC ±10%, PoE (802.3af, class 3)
Power Consumption	Maximum 6.5 W
Dimensions	Main unit: 78 mm x 105 mm x 32 mm (3.07" × 4.13" × 1.26") Lens: 37 mm x 26 mm x 25 mm (1.57" × 1.02" × 0.98") Bracket: 60.6 mm x 38.2 mm x 883.8 mm (2.39" × 1.50" × 34.80")
Weight	Main unit: 210 g (0.46 lb) Lens: 99 g (2 m cable, 0.22 lb.), 220 g (8 m cable, 0.49 lb.) Bracket: 934 g (2.06 lb)

# Dimensions

## Main Unit



## Lens



## Bracket

