

DS-2CE16D7T-IT3

HD1080p WDR EXIR Outdoor Bullet Camera

- 1/2.7"(2 MP) High-Performance CMOS
- Analog HD Output, Up to 1080p Resolution
- True Day/Night
- OSD Menu, DNR, Smart IR
- True WDR, Up to 120 dB
- EXIR Technology, Up to 131 ft (40 m) IR Range
- Up-the-Coax (HIKVISION-C)
- IP66 Weatherproof, Wide Temperature Range



The Hikvision DS-2CE16D7T-IT3 is a 2 megapixel bullet camera that offers high definition (HD) analog video at 1080p resolution over existing coaxial cables.

True 120 db WDR (Wide Dynamic Range) provides exceptional image quality in challenging lighting conditions. Hikvision's proprietary EXIR technology offers extended IR range of up to 131 feet (40 meters). Smart IR automatically varies the IR output with the camera's zoom factor for well exposed images.

Smart Detection functions include intrusion detection, line crossing detection, region entrance detection, region exiting detection, audio exception detection, benefitting users with great improvement in security efficiency and, more importantly, with key events and objects being recorded for further forensic needs.

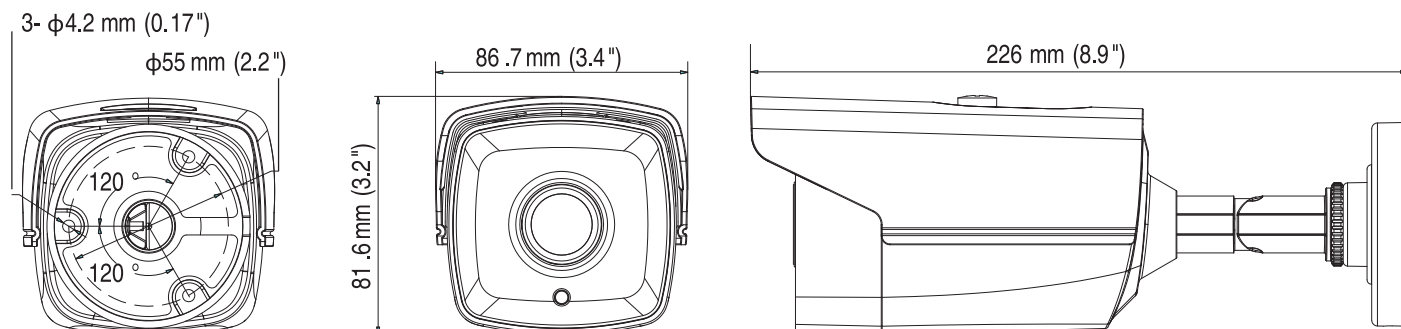
The DS-2CE16D7T-IT3 supports IP66, wide temperature range, and is intended for outdoor use.

Available Models: DS-2CE16D7T-IT3



DS-2CE16D7T-IT3	
Camera	
Image Sensor	1/2.7" (2 MP) CMOS image sensor
Signal System	PAL/NTSC
Effective Pixels	1920 x 1088
Minimum Illumination	0.01 lux @ f/1.2, AGC on, 0 lux with IR
Shutter Speed	1/25 (1/30)s to 1/50,000s
Lens	2.8 mm, 3.6 mm, 6 mm, 8 mm, 12 mm, 16 mm optional Angle of view: 103° (2.8 mm), 82.2° (3.6 mm), 54° (6 mm), 37.7° (8 mm), 24.3° (12 mm), 18.8° (16 mm)
Lens Mount	M12
Day/Night	ICR
3-Axis Positioning	Pan: 0° to 360°; tilt: 0° to 90°; rotate: 0° to 360°
Synchronization	Internal synchronization
WDR	120 dB
Video Frame Rate	1080p @ 25 fps/1080p @ 30 fps (PAL/NTSC)
HD Video Output	1 analog HD-TVl output
S/N Ratio	> 62 dB
Menu	
AGC	Supported
D/N Mode	Color/BW/Smart
White Balance	ATW/MWB
BLC	Supported
Functions	Wide Dynamic Range, digital noise reduction, mirror, Smart IR
General	
Operating Conditions	-40° F to 140° F (-40° C to 60° C), humidity 90% or less (non-condensing)
Power Supply	12 VDC ±15%
Power Consumption	Maximum 5 W
Protection Level	IP66
IR Range	Up to 131 ft (40 m)
Communication	Up-the-Coax, protocol: HIKVISION-C (HD-TVl output)
Dimensions	3.41" x 3.23" x 8.67" (86.7 mm x 81.6 mm x 226 mm)
Weight (approximate)	1.5 lb (680 g)

Dimensions



Unit : mm

Accessories

		
CBXS Junction Box	DS-1H18 Video Balun	DS-TT-X41T Camera Tester