

DS-2CC52D9T-IT3E

2 MP Outdoor Ultra-Low Light PoC Turret Camera



- 2 MP High Performance CMOS
- Up to 1080p Resolution
- Ultra-Low Light Pro
- 3.6 mm Lens (2.8 mm and 6 mm Optional)
- 120 dB True WDR
- EXIR 2.0 with up to 130 ft (40 m) IR Range
- Dual Output: 1 HD Analog Output and 1 CVBS Output
- PoC.at, Smart Voltage Detection
- Up-the-Coax (HIKVISION-C)
- IP67 Protection

The Hikvision DS-2CC52D9T-IT3E 2 MP Outdoor Ultra-Low Light Power-over-Coax (PoC) Turret Camera provides high definition analog output. TurboHD means that the analog signal can be sent over existing coaxial cable, eliminating the need to run new cables for high definition video.

EXIR 2.0 is Hikvision's proprietary IR extended range technology, which has a range of 130 feet (40 meters).

The 3.6 mm and optional 2.8 and 6 mm lenses are optimized for viewing angles that fit any situation. True 120 db WDR (Wide Dynamic Range) ensures that ideal images are captured regardless of the lighting conditions.

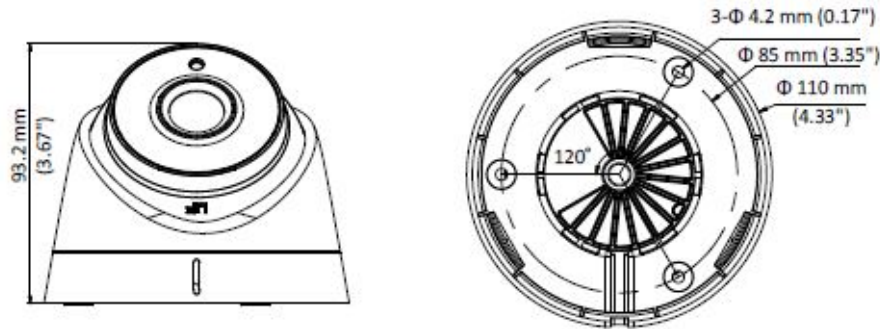
Available models:
DS-2CC52D9T-IT3E



Specifications

| DS-2CC52D9T-IT3E | |
|--------------------------|--|
| Camera | |
| Image Sensor | 2.0 MP progressive scan CMOS |
| Signal System | NTSC |
| Effective Resolution | 1920 (H) × 1080 (V) |
| Frame Rate | 1080p @ 30 fps |
| Minimum Illumination | 0.003 lux @ (f/1.2, AGC on), 0 lux with IR |
| Shutter Speed | 1/30 s to 1/50,000 s |
| Slow Shutter | Maximum: 30 times |
| Lens | 3.6 mm (2.8 mm and 6 mm options) |
| Horizontal Field of View | 103.5° (2.8 mm), 82.6° (3.6 mm), 54.4° (6 mm) |
| Lens Mount | M12 |
| Day/Night | Auto/color/BW (Black and White) |
| Angle Adjustment | Pan: 0° to 360°, Tilt: 0° to 75°, Rotate: 0° to 360° |
| Synchronization | Internal synchronization |
| WDR | >120 dB |
| Menu | |
| AGC | Supported |
| Day/Night Mode | Auto/Color/BW (Black and White) |
| White Balance | ATW/AWC-SET/MANUAL |
| Privacy Mask | ON/OFF, 8 programmable privacy masks |
| Motion Detection | 4 programmable motion areas |
| Backlight Compensation | WDR/BLC/HLC/off |
| 2D and 3D DNR | On/off |
| Voltage Detection | Supported |
| Scene | Indoor/outdoor/indoor/low light |
| Functions | Defog, mirror, defective pixel correction, sharpness, camera title |
| Interface | |
| Video Output | 1 HD analog output/1 Vp-p composite output (75 Ω/BNC) |
| General | |
| Operating Conditions | -40° F to 140° F (-40° C to 60° C), humidity: 90% or less (non-condensation) |
| Power Supply | 12 VDC ±30%/PoC.at |
| Power Consumption | Maximum: 4 W |
| IR Range | Up to 130 ft (40 m) |
| Protection Level | IP67 |
| Communication | Up-the-coax, Protocol: HIKVISION-C |
| Dimensions | Φ 4.33" x 3.67" (Φ 110 mm x 93.2 mm) |
| Weight | Approximately 0.44 lbs (0.2 kg) |

Dimensions



Accessories

| | | | |
|--|---|---|---|
|  |  |  |  |
| PC110T Pendant Cap | CBS Conduit Base | ABS Inclined Ceiling Mount | DS-1H18 Video Baluns |